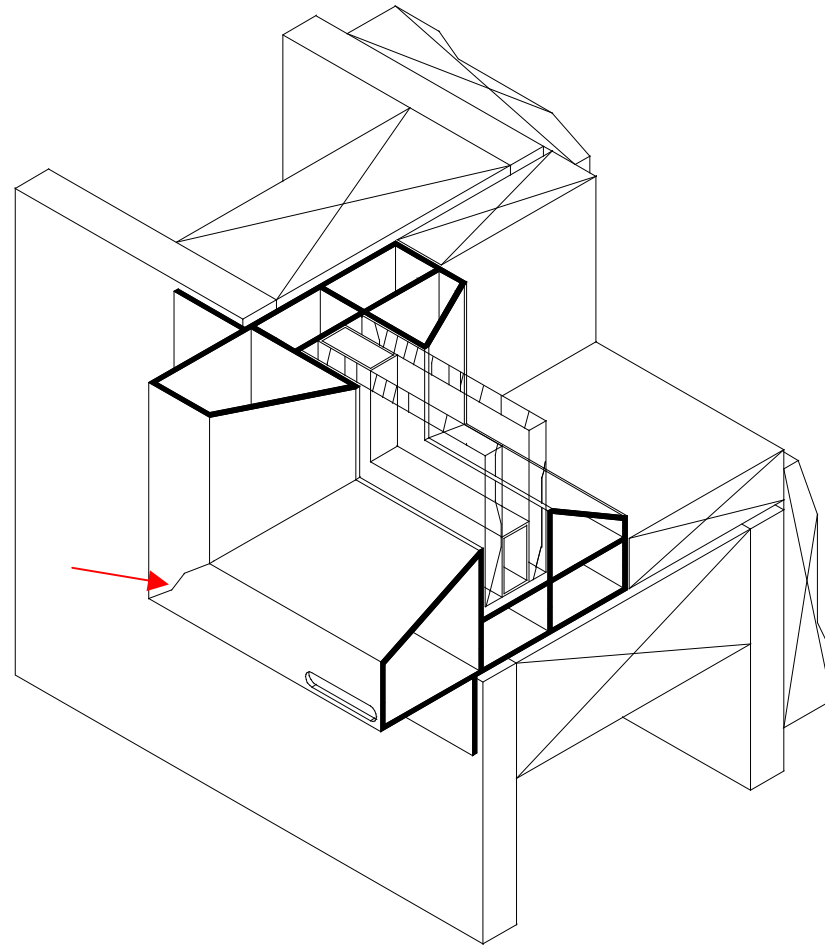


Building Envelope Innovations

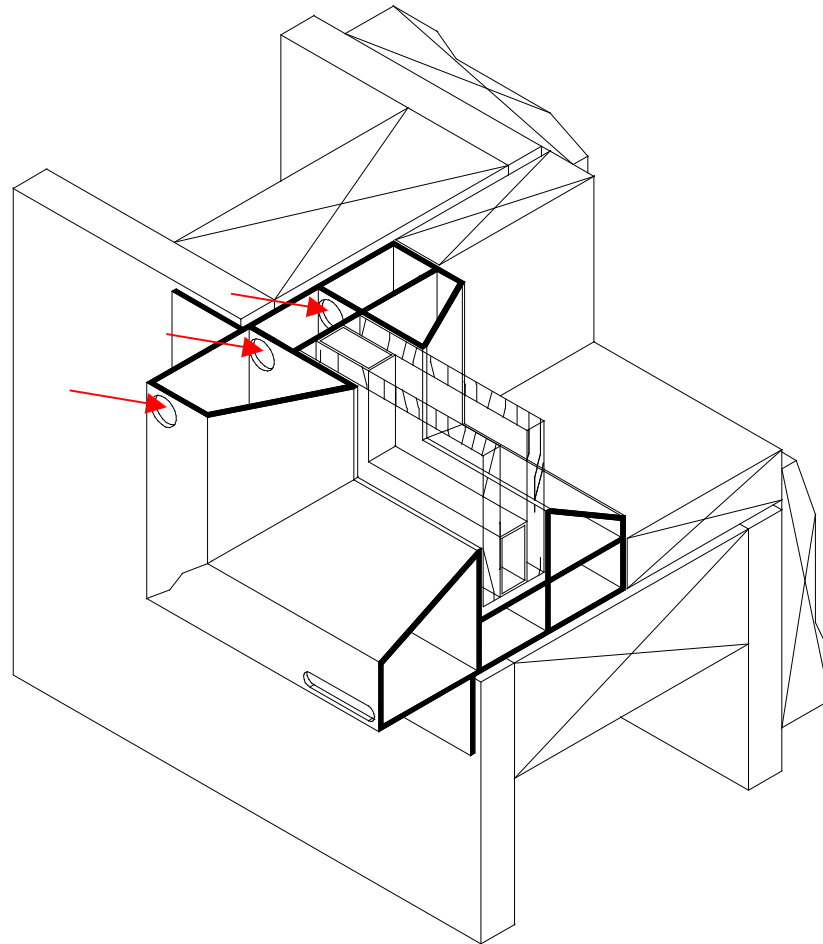
7350/7150 Miter/Joint Repair

12-12-08

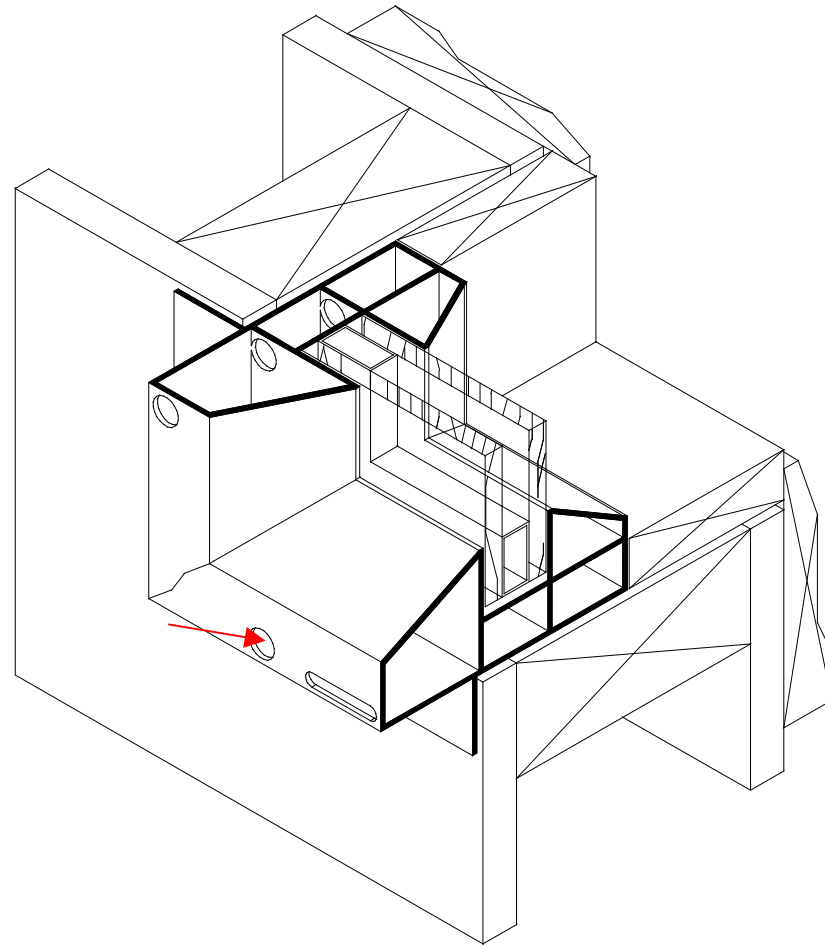




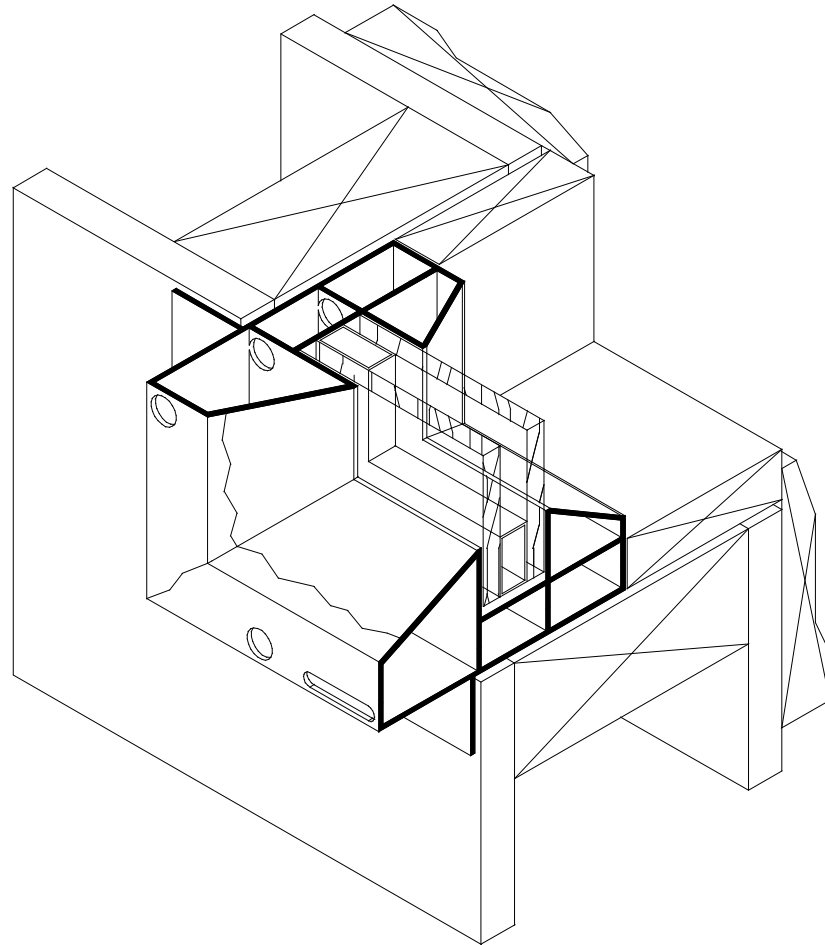
The WR-7350/WS-7150 system is designed to repair damaged or cracked corners in window frames.



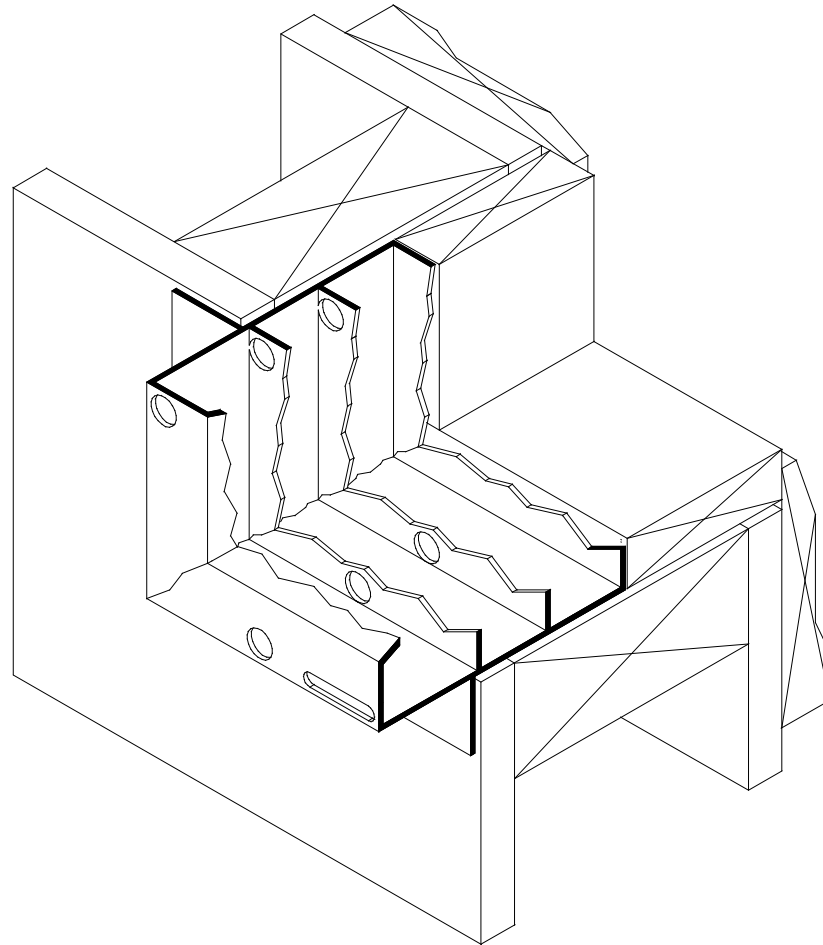
Drill 3/8" holes through the vinyl to access the 3 cells 3" above the cracked corner.



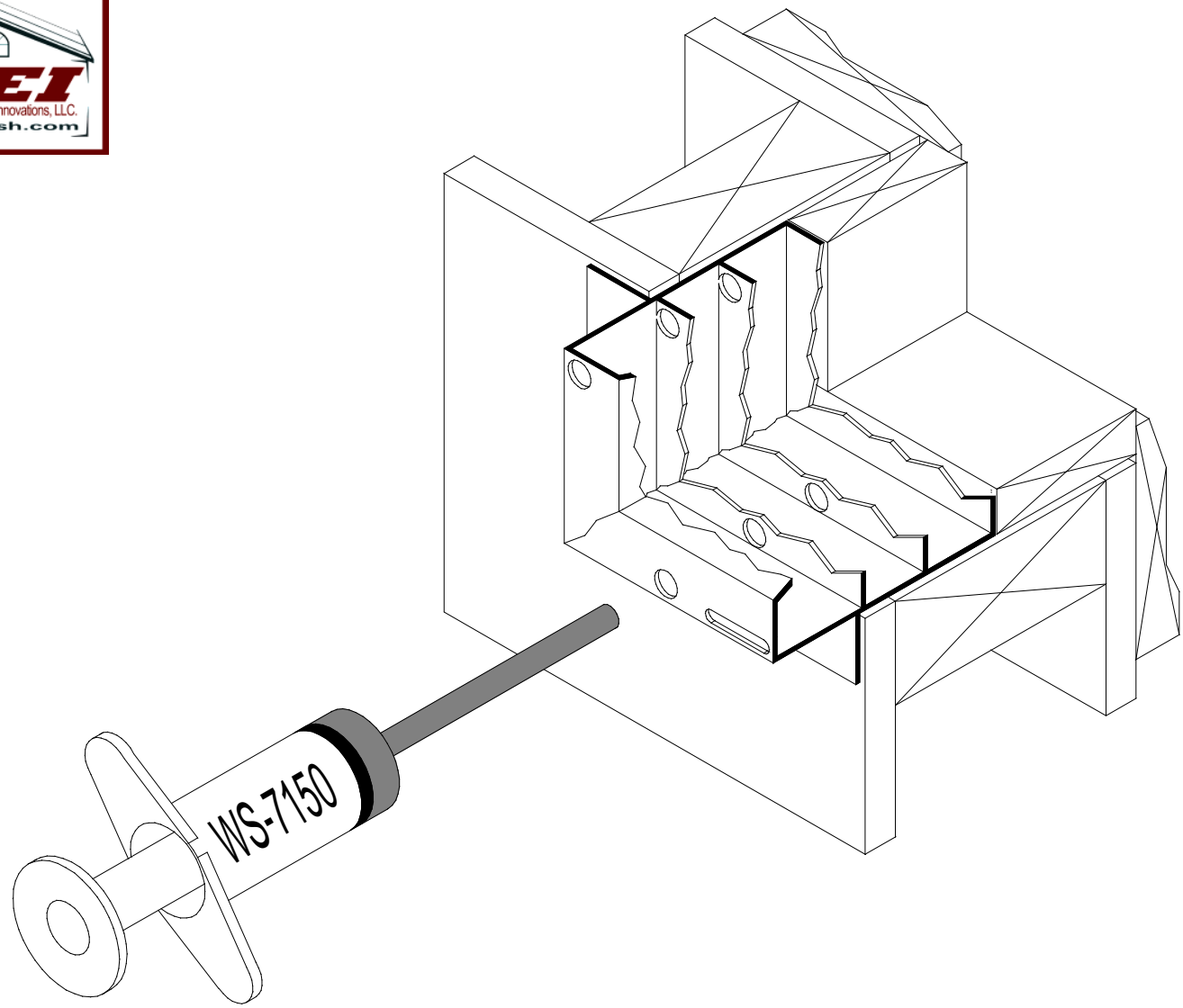
Drill 3/8" holes through the vinyl to access the 3 cells 1" from the cracked corner.



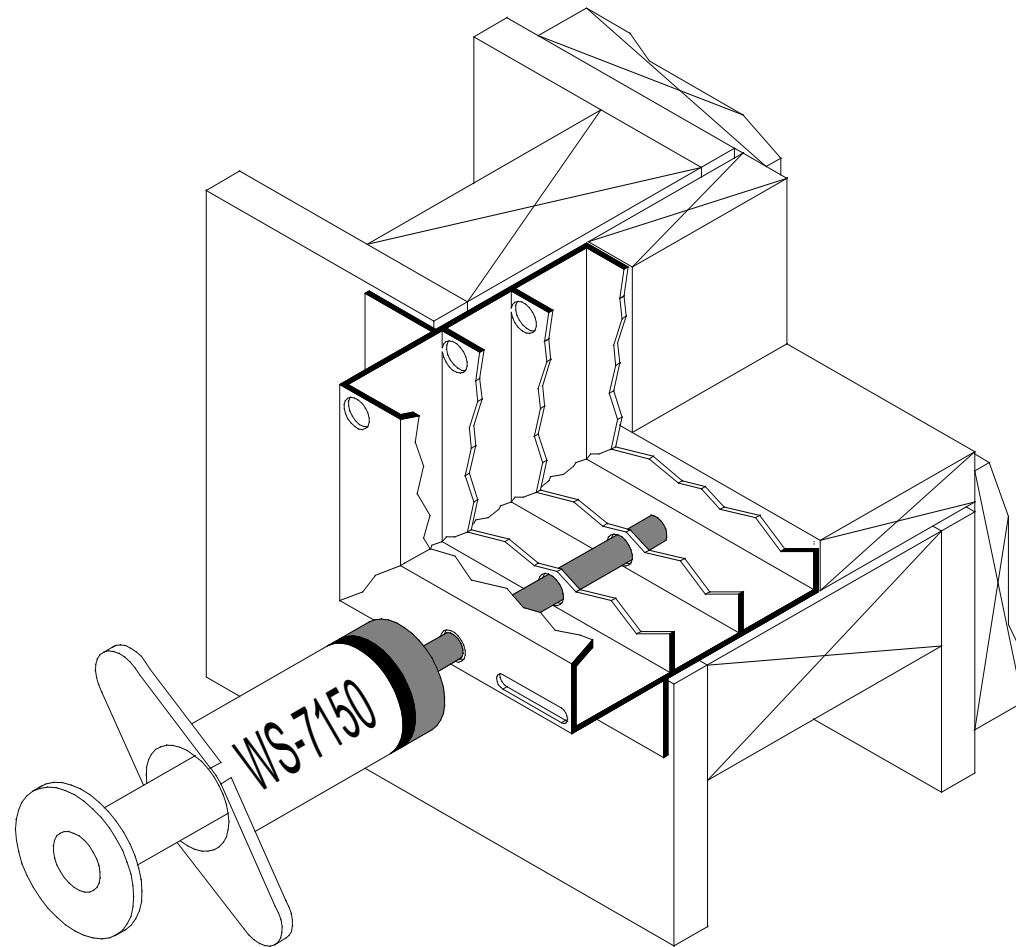
The window is ready for injection, first will be the WS-7150 to create a Dam for the WR-7350.



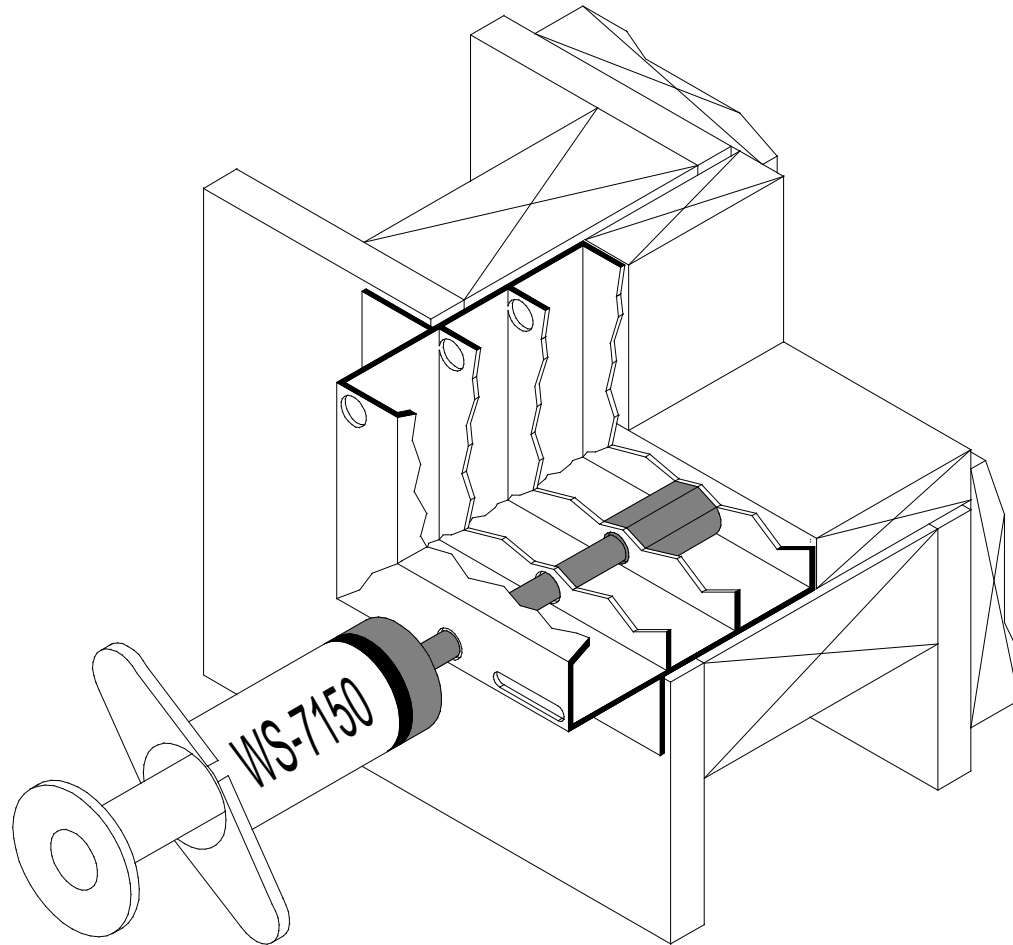
The window is ready for injection, first will be the WS-7150 to create a Dam for the WR-7350.



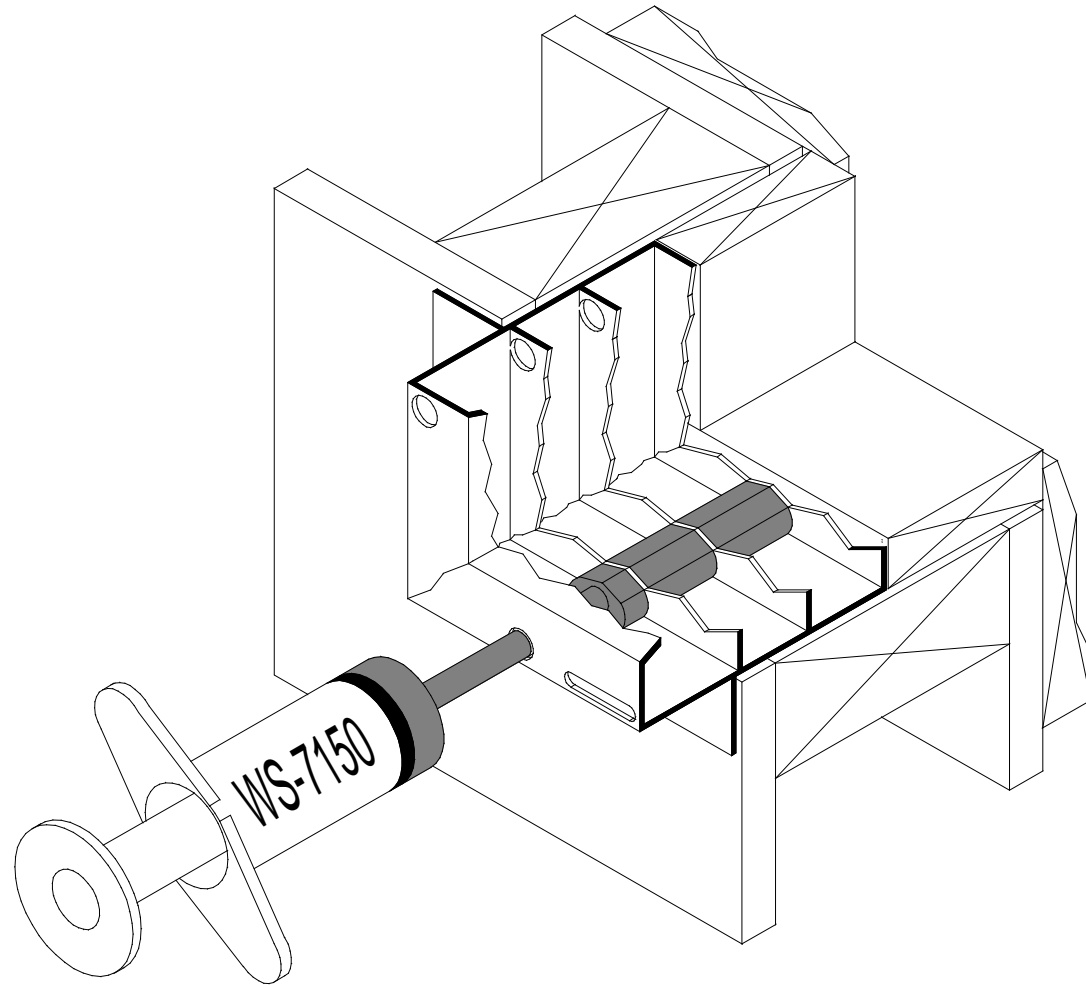
The window is ready for injection, first will be the WS-7150 to create a Dam for the WR-7350.



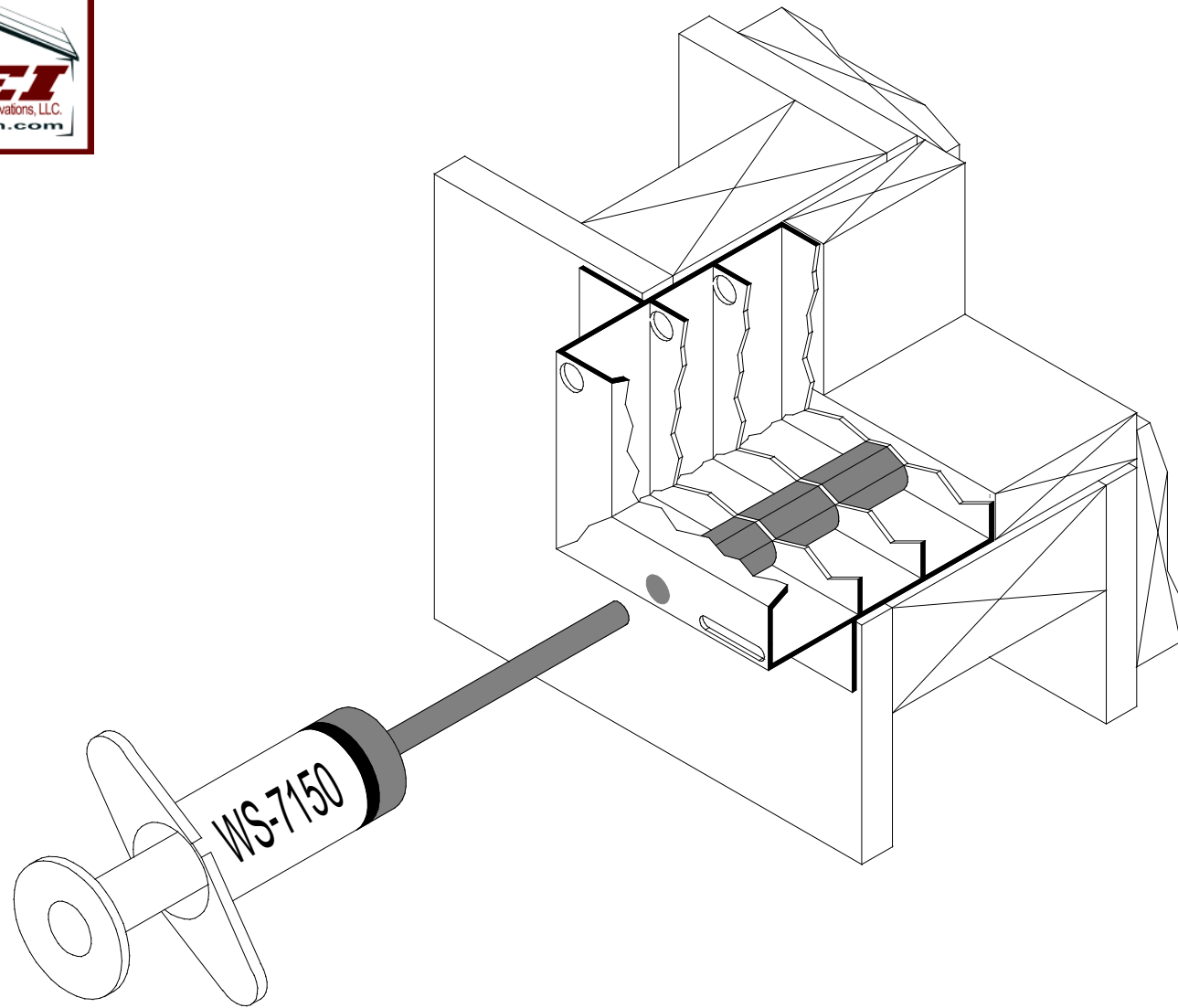
The window is ready for injection, first will be the WS-7150 to create a Dam for the WR-7350.



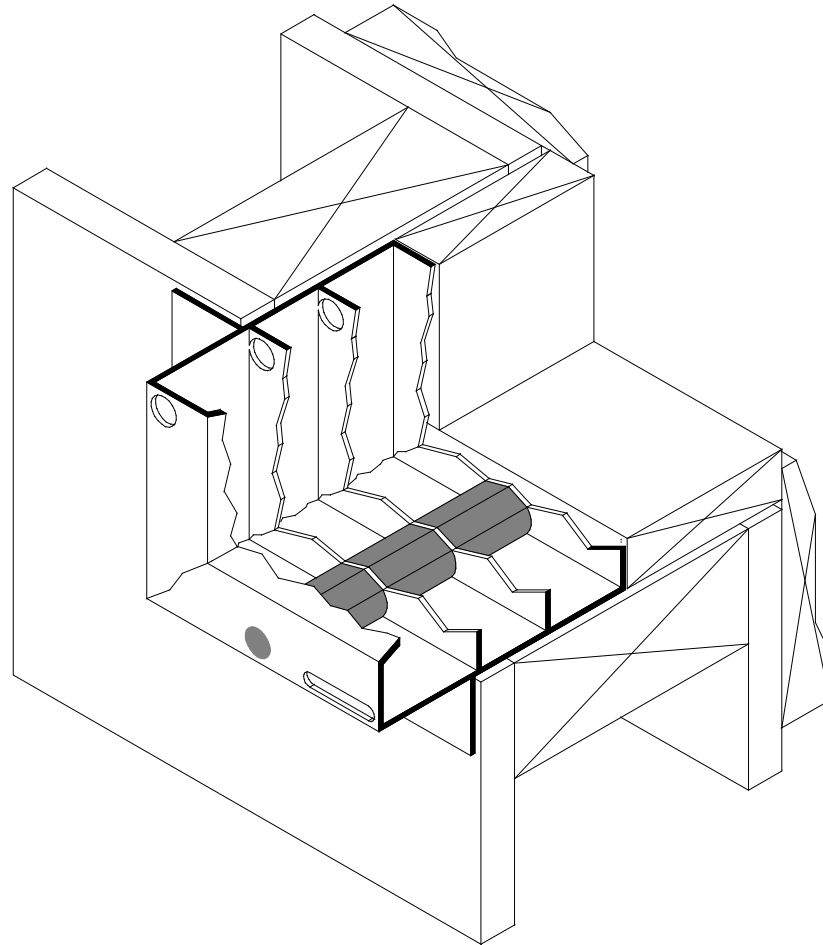
Each window profile has to be reviewed prior to any repair process, most frames are different.



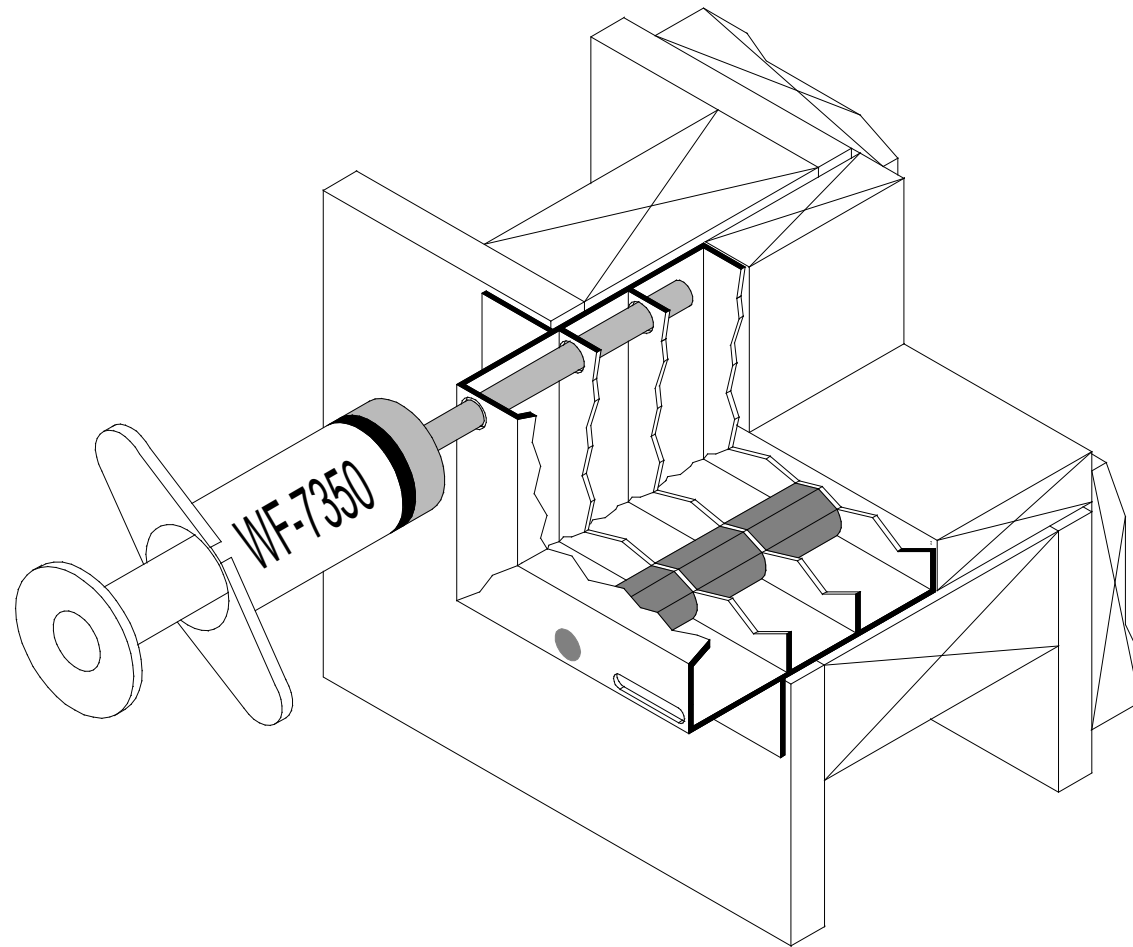
Each window profile has to be reviewed prior to any repair process, most frames are different.



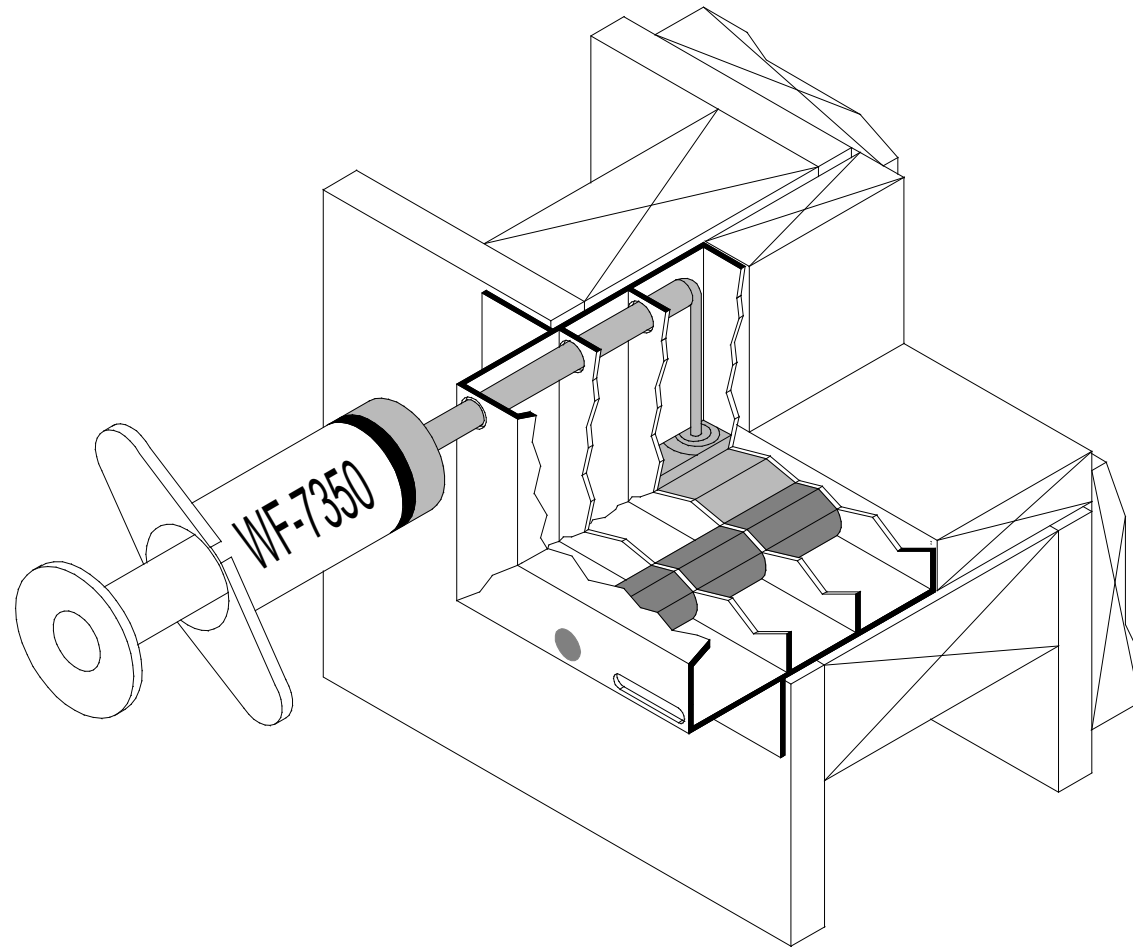
Each window profile has to be reviewed prior to any repair process, most frames are different.



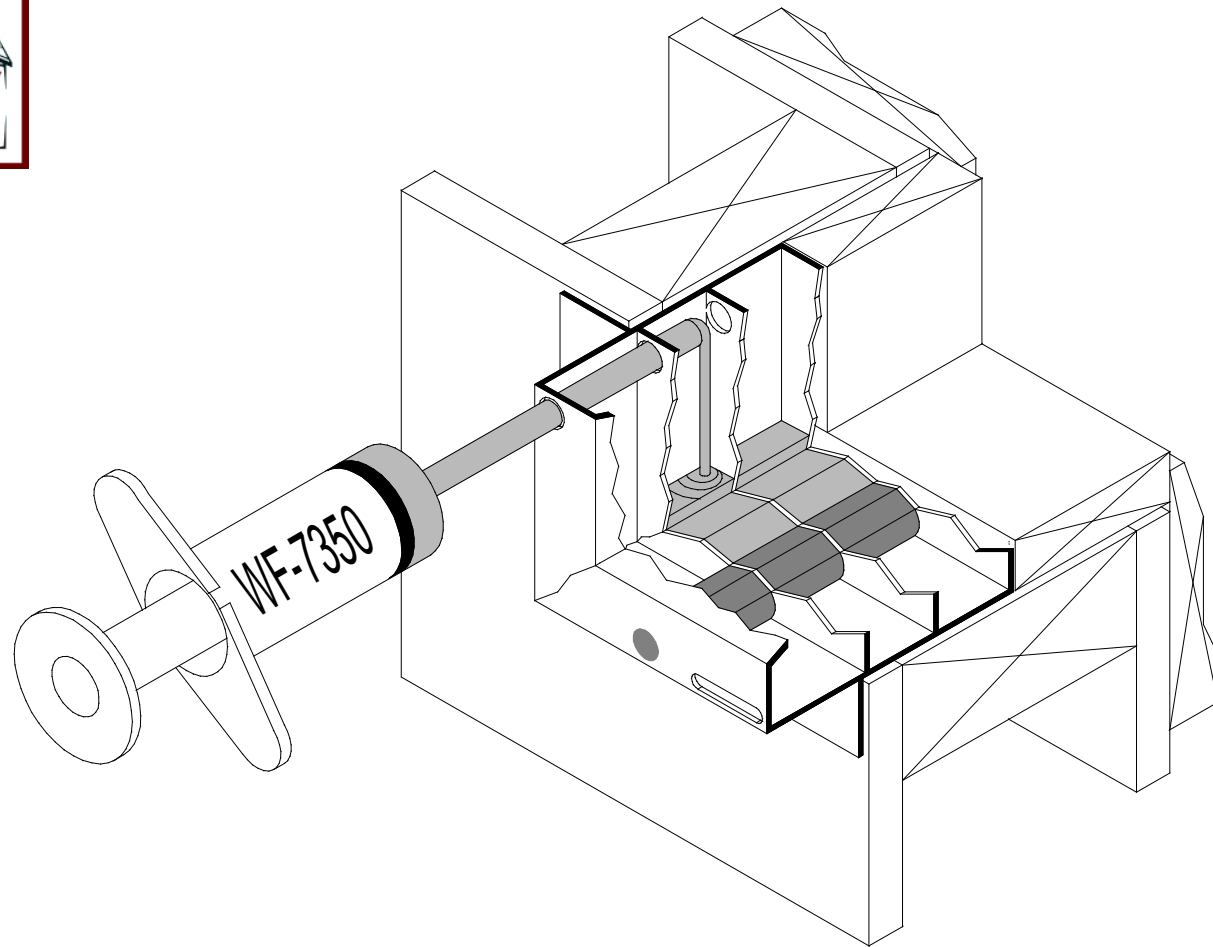
The Dam is a critical part of the repair although it should not block the flow of water from the vertical mullion to horizontal sill, without a Dam the WR7350 could flow away from the cracked miter.



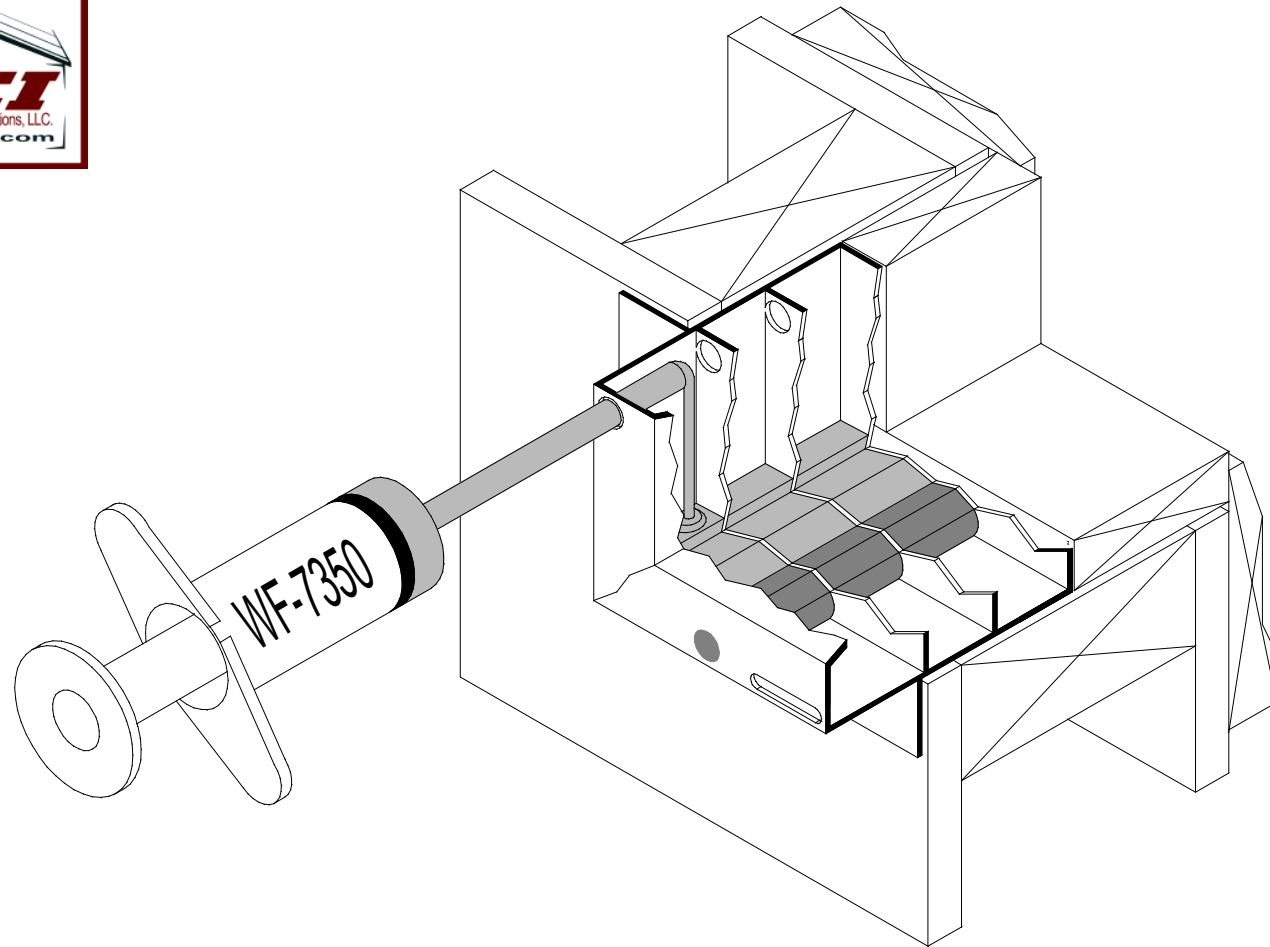
The WR-7350 is a lower viscosity material designed to flow into the crack and seal even when wet.



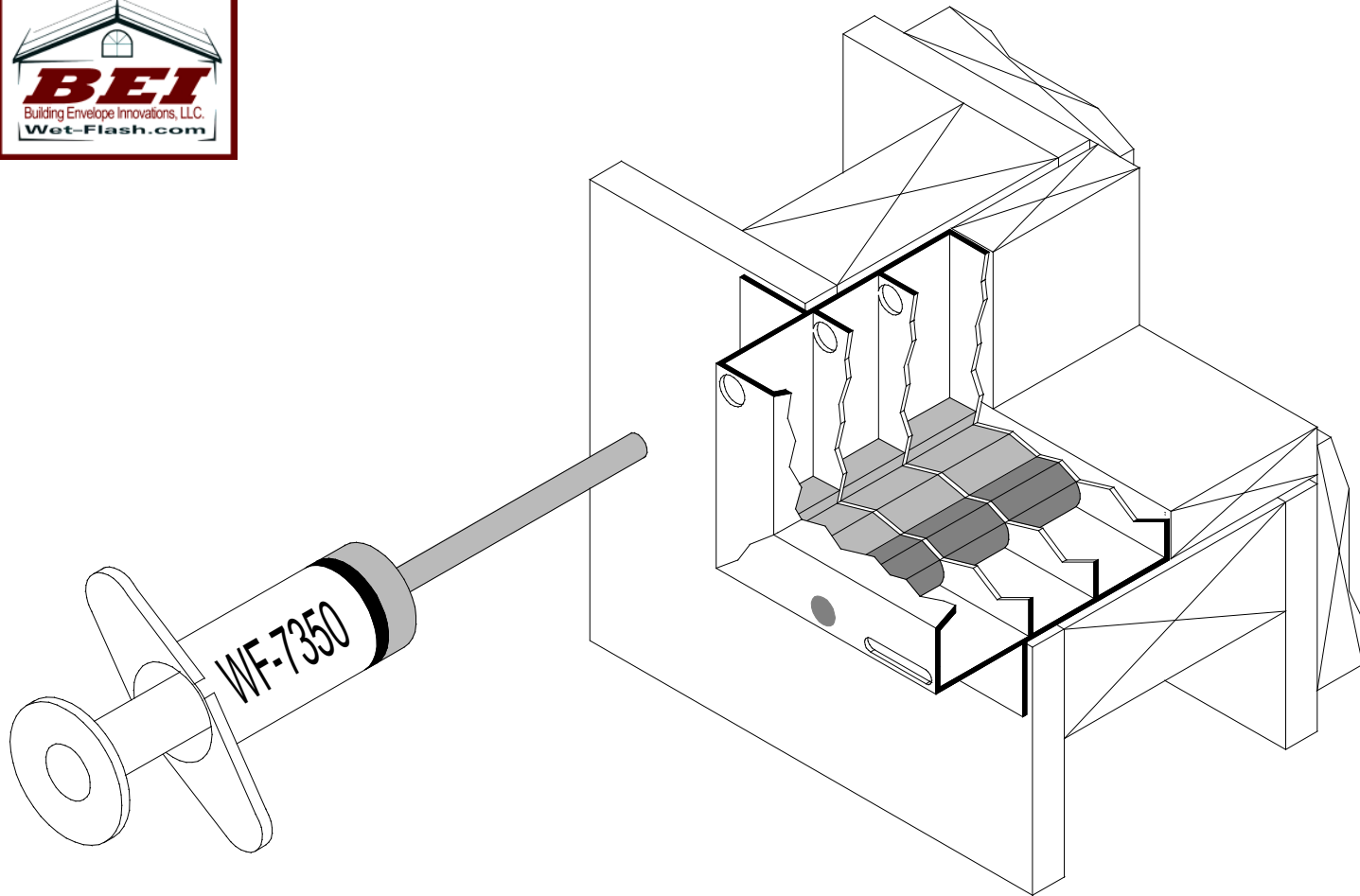
The WF-7350 is a lower viscosity material designed to flow into the crack and seal even when wet.



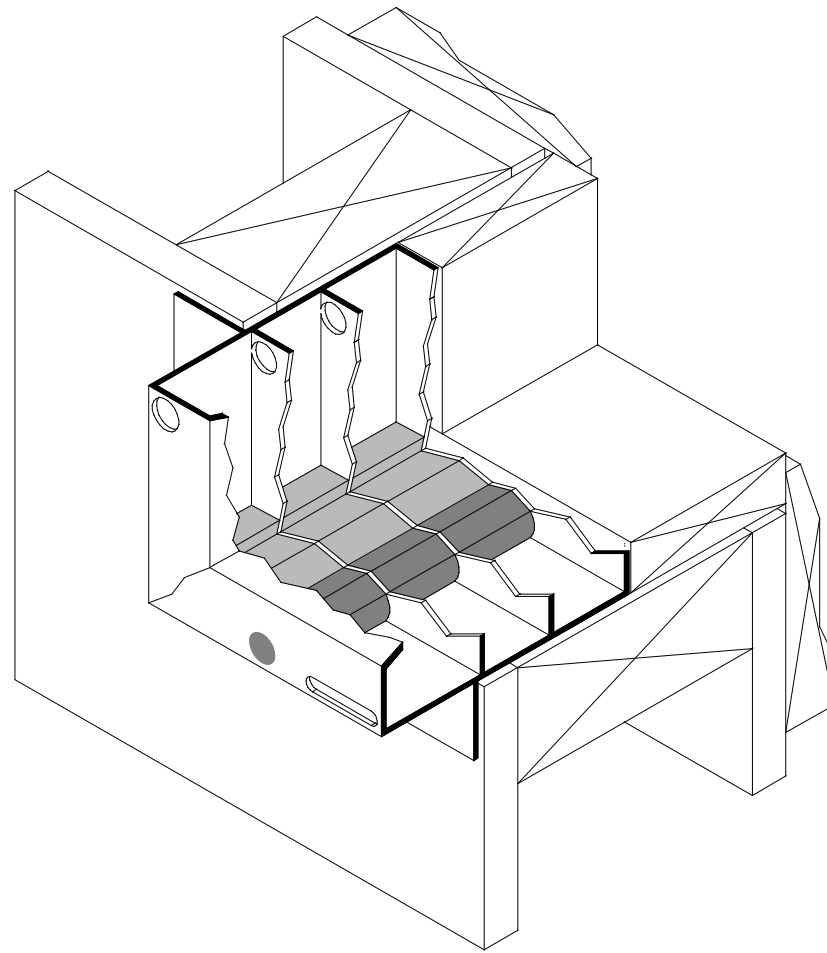
The WF-7350 is a lower viscosity material designed to flow into the crack and seal even when wet.



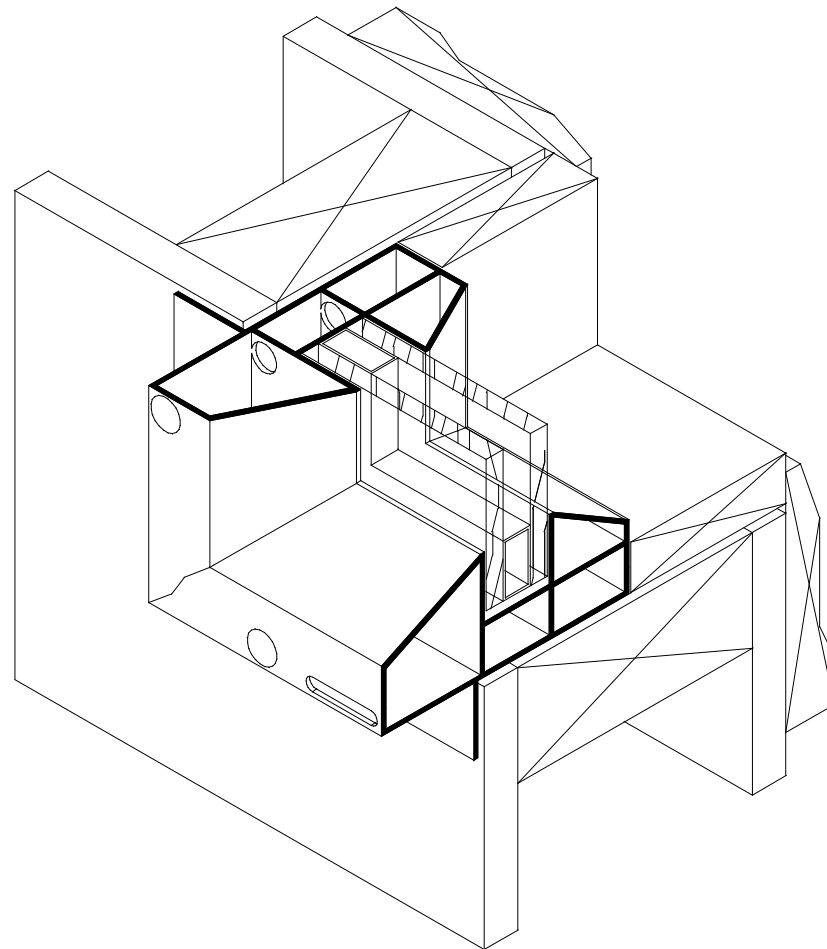
The WF-7350 is specifically designed for this application, the WF-7350 is poured to a level above the crack.



The WR-7350 is specifically designed for this application, the WF-7350 is poured to a level above the crack.



The WR-7350 is specifically designed for this application, the WF-7350 is poured to a level above the crack.



Insert white vinyl caps into the visible 3/8" holes.